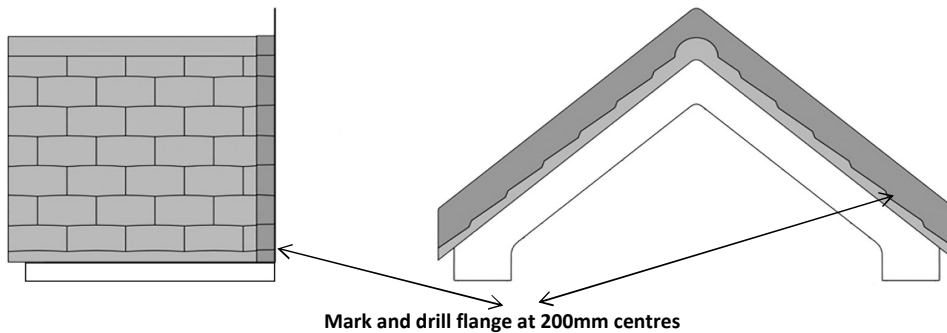


Fitting instructions for

## Duo pitch canopies

**Wentworth**  
PLASTICS LIMITED



Mark out and pre-drill 6mm holes at approx 200mm centres along the canopy fixing flange (upstand).

Offer canopy to the wall and centralise it above the door opening. Mark off the position of both the top and bottom of the canopy on the wall. Make sure your markings are straight and level. Remove canopy.

Lift the canopy back into place. Drill and plug the wall, affix through the fixing flange using 2" screws and plugs. Please ensure you use the appropriate coloured screw caps supplied.

### **Brackets.** *(If brackets are to be fitted)*

Offer the bracket up to the wall at each side of the door opening. Drill and plug the wall using a 7mm masonry drill bit. Screw the bracket to the wall using 3" screws and plugs. Please use packers where fixing screws to stop any distortion or damage to bracket.

Pilot and screw through the bracket into the canopy to pull tight and seal gap with appropriate coloured sealant. (Do not over tighten)

Cover all visible screw heads with the appropriate coloured screw caps.

Seal canopy to the wall using an appropriate colour sealer.

Clean canopy using soap and water or a non-abrasive cleaner.

Your Wentworth door canopy is maintenance free; however we recommend regular cleaning with soap and water.

Care should be taken not to stand on the canopy as this may cause damage.

Wentworth Plastics Limited  
17 Great Northern Way, Netherfield, Nottingham.NG4 2HD.

Tel: 01158 969 839. Email: [talktous@wentworthplastics.com](mailto:talktous@wentworthplastics.com)  
Company Registration Number: 9140566. VAT Number: 192489466.

**Wentworth Plastics Limited will always endeavour to beat any genuine quote.**