

# Windsor Standard Canopy



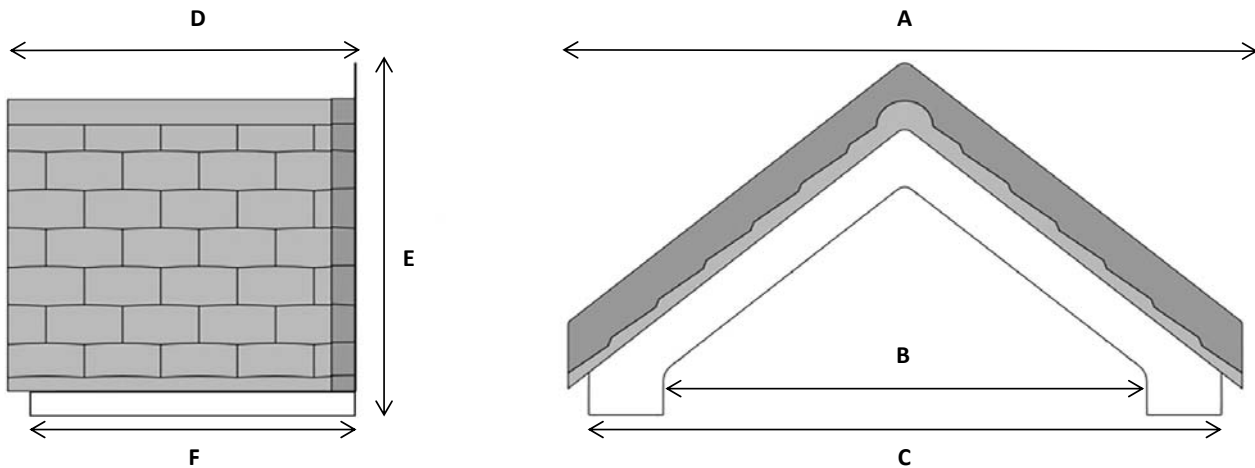
## Features:

- 10 Year manufacturing guarantee
- Many styles of optional brackets available
- Matching screw caps supplied
- Low maintenance
- Easy installation

## Description:

The Windsor standard is a stylish duo pitched canopy with integral soffit. The soffit is available either open or closed. The reproduction tile roof is available in grey or terracotta and optional brackets are available.

## Dimensions:



For sizes and dimensions available please see table below.

Dimensions in mm.

A	B	C	D	E	F
1550	1130	1350	760	880 (Inc 70mm flashing)	710

Wentworth Plastics Limited  
 17 Great Northern Way, Netherfield, Nottingham.NG4 2HD.  
[www.wentworthplastics.com](http://www.wentworthplastics.com)  
 Tel: 01158 969 839. Email: talktous@wentworthplastics.com  
 Company Registration Number: 9140566. VAT Number: 192489466.

Wentworth Plastics Limited will always endeavour to beat any genuine quote.